

oem



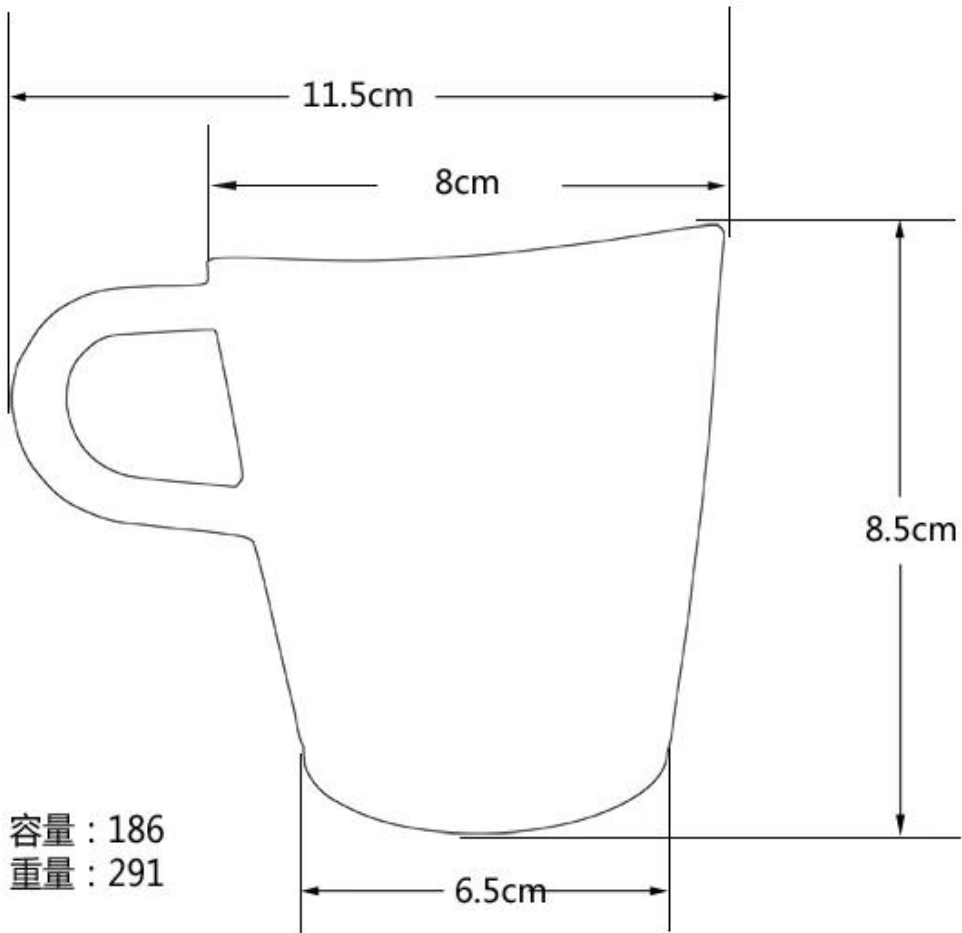












□□□□□□□□□□□□□□



- □□
- □□□□
- □□□□□
- □□□
- □□
- □□□□□□□□□□
- □□
- □□□

□□□□□□□:





## Sedex Members Ethical Trade Audit (SMETA) Report

Version 5.0 Dec 2014, 2/4 Pillar Audit; replaces version 4.0 May 2012.

Business Name	Vendor LLC Shenzhen Representative office
Site country	China
Site name	Wanwan Working Craft & Art Co., Ltd.
Parent Company name (if the site)	Not applicable
SMETA Audit Type	<input checked="" type="checkbox"/> 2-Pillar <input type="checkbox"/> 4-Pillar
Date of Audit	17 December 2014

**Audit Content:**  
 (1) A SMETA audit was conducted which included some of all of Labour Standards, Health and Safety, Environment and Business ethics. The SMETA Best Practice Guidance version 5 December 2013 was applied. The scope of workers included all types of the site e.g. direct employees, agency workers, workers employed by service providers, and workers provided by other contractors. Any deviations from the SMETA Methodology are stated with reasons for deviation in the SMETA Declaration.

- (2) The audit scope was against the following reference documents:
- 2-Pillar SMETA Audit
    - ETS Base Code
    - SMETA Additions
      - Management systems and code implementation,
      - Commitment to Work & Integration,
      - Sub-contracting and hiring working.
  - 4-Pillar SMETA
    - 2-Pillar requirements (key)
    - Additional Pillar assessment of Environment
    - Additional Pillar assessment of Business Ethics
    - The new ETS Working Hours Clause

The new ETS Working Hours Clause  
 Now integrated into the latest SMETA version.

Where appropriate non-compliance was raised against the ETS code / SMETA Additions & Evaluation and recorded as non-compliance on both the audit report, CAPA and on Sedex.



## Alibaba.com Assessed Supplier



### Assessment Report

Presented to  
**Shenzhen Ruixin Glassware Co., Ltd.**  
 深圳市瑞信玻璃制品有限公司

Gold Supplier & Assessed Company Relationship	<input type="checkbox"/> Self-owned <input type="checkbox"/> Wholly Owned <input type="checkbox"/> Shareholder/Partner <input type="checkbox"/> Kinship Inherent Owners <input type="checkbox"/> Cooperation Partner
Company Address	Floor 5, No. 12, 3rd Row, Xinhai Industrial Park, Xinhai, Shaolin, Tan' in Shenzhen, Shenzhen City, Guangdong Province, China
City / Country	Shenzhen, China
Company of Assessment	Alibaba
Gold Supplier Member ID	19288
Gold Supplier Company Name	Shenzhen Ruixin Glassware Co., Ltd.
Contact Person	Ms. Coco Lin
Phone Number	8686-755-62621072
Fax Number	8686-755-62621071
Email	sales2@ruixinglassware.com
Website Address (URL)	http://ruixinglassware.en.alibaba.com

Service Provided by Bureau Veritas Certification  
 Report No. 1904234





瑞信 Ruixin 通过 ISO9001 质量管理体系认证 15 年生产经验  
 拥有 3 条全自动生产线 2 条半自动生产线

瑞信 Ruixin 通过 Sedex 社会责任认证 Sgs 产品认证

瑞信 2015 年销售额 10 亿人民币 产品远销欧美日韩 拥有 100 多名员工

瑞信地址：深圳市宝安区西乡街道





□□□□□□□□



1 瑞信玻璃-瑞信 2009 ~ 2013

2 瑞信玻璃 瑞信玻璃有限公司 2010-2016

3 瑞信玻璃有限公司 Watches & 瑞信玻璃 2014 2016

瑞信玻璃

