

China oem logo glass coffee mugs glass tumbler clear glass coffee mugs wholesale



What are the features of glass coffee mugs ?



What are the functions of glass coffee mugs?

- 1) Machine blasted /pressed, elegant pattern, widely use in restaurant/hotel/home/party etc.
- 2) Special design and accurate quality control make sure every piece offered is as perfect as possible.
- 3) Logo customized, pattern, size and color etc. could be done according to your drawings. - Decal, Carving, electro plating, sand blasting, paint spraying, etc.
- 4) Packaging : PVC box, Windows box, color box, shrinkage wrap are available to make sure it be can sold directly. Standard export packing assure safety shipment.
- 5) Timely delivery, 12000 square meter self-own warehouse holding large stock to enable our supply.

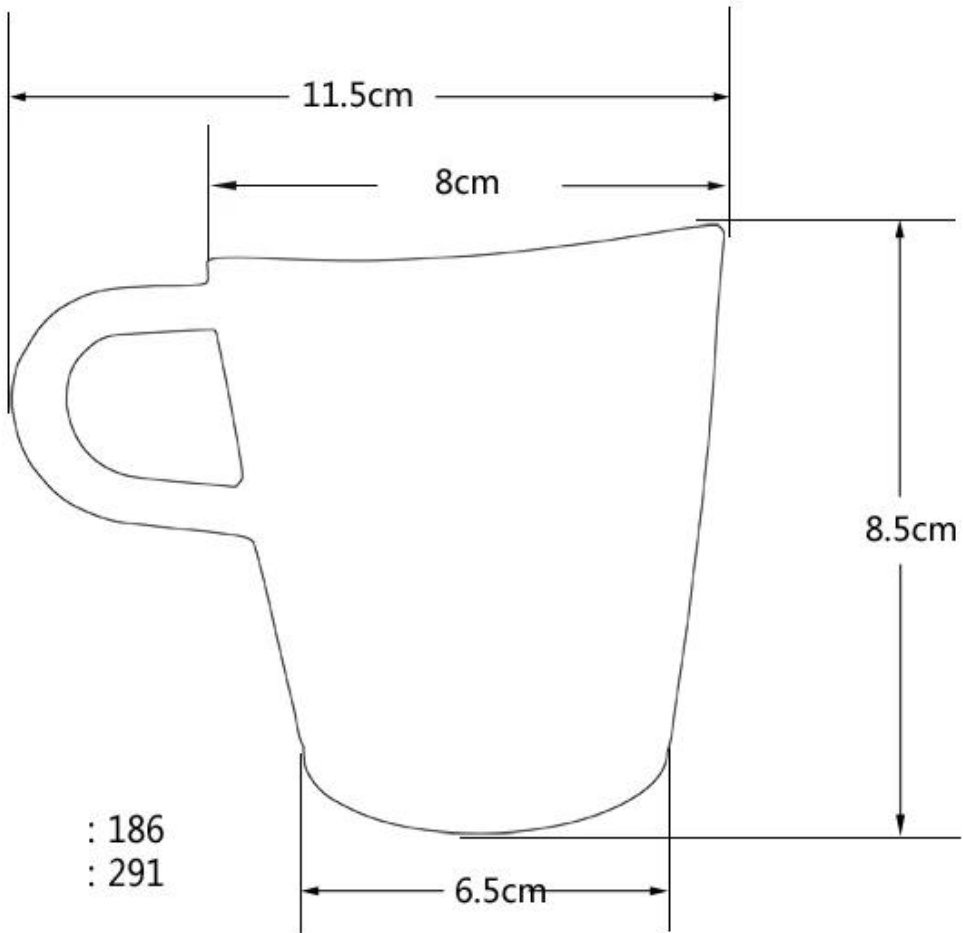
6)Eco-Friendly, pass FDA, CA65,LFGB standard test.

What are the specifications of glass coffee mugs?

Item No.:	Coffee-001
Size:	T:8cm, B:6.5cm, H:8.5cm, W:291g, C:186ml
Material:	Coffee glass
Process:	Handmade glass tea and coffee cup
Samples time:	1. 5~10 days if at exit shaped and size of glass. 2. 15~20 days if need new shape or size of glass.
Packing:	1. Normal packing, 24 or 36pcs into export carton, Carton with cardboard divider; 2. Paper tray pallet packing; 3. Customized box.
Product capacity:	500,000~1,000,000 pcs per Month
Delivery time:	About 30-45days,but if you have a urgent need for the products, we can put your order into priority.
Payment terms:	Usually pay by T/T,Western Union,L/C or others according to your requirement.
Transportation:	By sea, by air, by express and your shipping agent is acceptable.
Product features:	1. Food safe grade glass body. It doesn't contain BPA, lead, cadmium or any other harmful things to human body; 2. It can with stand 600 centigrade high temperature; 3. It is freezer safe; 4. The material is recyclable because it is totally mineral substance; 5. It is environmental safe.
For your choose:	1. Any logo printing on the glass body. 2. Any color painted, frost, electro plate ,pattern laser carver for the finish; 3. Special package like shrink wrap, color gift box, white gift box etc: 4. Open new mould for new glass and some accessories such as wood, plastic or metal as you like; 5. Different size and shapes meet your needs.

glass coffee mugs photos:





What are the applications?



- Hotels
- Party
- Wedding breakfast
- Love confession
- Birthday
- Start business
- Celebrating
- Home

Our certifications:



Sedex Members Ethical Trade Audit (SMETA) Report

Version 5.0 Dec 2014, 2/4 Pillar Audit; replaces version 4.0 May 2012.

Business Name	Vendor LLC Shenzhen Representative office
Site country	China
Site name	Wanwan Working Craft & Art Co., Ltd.
Parent Company name (if the site)	Not applicable
SMETA Audit Type	<input checked="" type="checkbox"/> 2-Pillar <input type="checkbox"/> 4-Pillar
Date of Audit	17 December 2014

Audit Content:
 (1) A SMETA audit was conducted which included some of all of Labour Standards, Health and Safety, Environment and Business ethics. The SMETA Best Practice Guidance version 5 December 2013 was applied. The scope of workers included all types of the site e.g. direct employees, agency workers, workers employed by service providers, and workers provided by other contractors. Any deviations from the SMETA Methodology are stated with reasons for deviation in the SMETA Declaration.

- (2) The audit scope was against the following reference documents:
- 2-Pillar SMETA Audit
 - ETS Base Code
 - SMETA Additions
 - Management systems and code implementation,
 - Commitment to Work & Immigration,
 - Sub-contracting and hiring working.
 - 4-Pillar SMETA
 - 2-Pillar requirements (see above)
 - Additional Pillar assessment of Environment
 - Additional Pillar assessment of Business Ethics
 - The new ETS Working Hours Clause

Where appropriate non-compliance was raised against the ETS code / SMETA Additions & Evaluation and recorded as non-compliances on both the audit report, CAPA and on Sedex.



Alibaba.com Assessed Supplier



Assessment Report

Presented to
Shenzhen Ruixin Glassware Co., Ltd.
 深圳市瑞信玻璃制品有限公司

Gold Supplier & Assessed Company Relationship	<input type="checkbox"/> Self-owned <input type="checkbox"/> Wholly Owned <input type="checkbox"/> Shareholder/Partner <input type="checkbox"/> Kinship Inherent Owners <input type="checkbox"/> Cooperation Partner
Company Address	Floor 5, No. 12, 3rd Row, Xinhua Industrial Park, Xinhua, Shahe, Tai'an, Shandong, Shandong Prov., China
City / Country	Shenzhen, China
Company of Assessment	Alibaba
Gold Supplier Member ID	19288
Gold Supplier Company Name	Shenzhen Ruixin Glassware Co., Ltd.
Contact Person	Ms. Cindy Lam
Phone Number	8686-755-62621072
Fax Number	8686-755-62621071
Email	sales2@alibaba.com
Website Address (URL)	http://inglassware.en.alibaba.com

Service Provided by Bureau Veritas Certification Report No. 1904234



Who are we?



Shenzhen Ruixin glassware company are a very professional glassware company, and have been in this field over 15 years.

We have our head office in Shenzhen, and have three factories, one is located in Shenzhen too, another two factories are in Shanxi, which are the biggest hand painting factory in China too.

Recently, Ruixin passed Sedex factory audit. Inspectors from SGS are very happy with our factory and praised that we are the most tidy and clean glass factory he visited.

Our company also celebrates our 10 years anniversary in 2015. In order for our factory to have a big development, we invested a series of machines, such as automatic spray machine, electroplated machine, etching and sandblasting machines.

Clients and business partners:



Trade terms:

Payment:

1. Usually we accept payment by L/C, Paypal, Escrow, T/T and Western Union.
2. 30% deposit, 70% balance before shipment.

About the shipment:

1. Shipping terms are depends on clients order quantity. We can use Express, LCL, FCL
2. Items will be shipped before careful checking,
3. We will update the delivery status timely after the goods are sent out.

Product packing:



Why choose us?



1. **Household Expo-Autumn.** 2009 to 2013
2. **Global Sources Fair, AsiaWorld-Expo.** 2010 to 2016
3. **International Gifts, Handicrafts, Watches & Houseware Fair.** 2014 to 2016

Our sales team



We are ready to serve you !



10 年专注玻璃礼品定制 10 years' glassware exporting experience



How to contact us?

Put your inquiry details in the **box below**, click "**Send**" now!